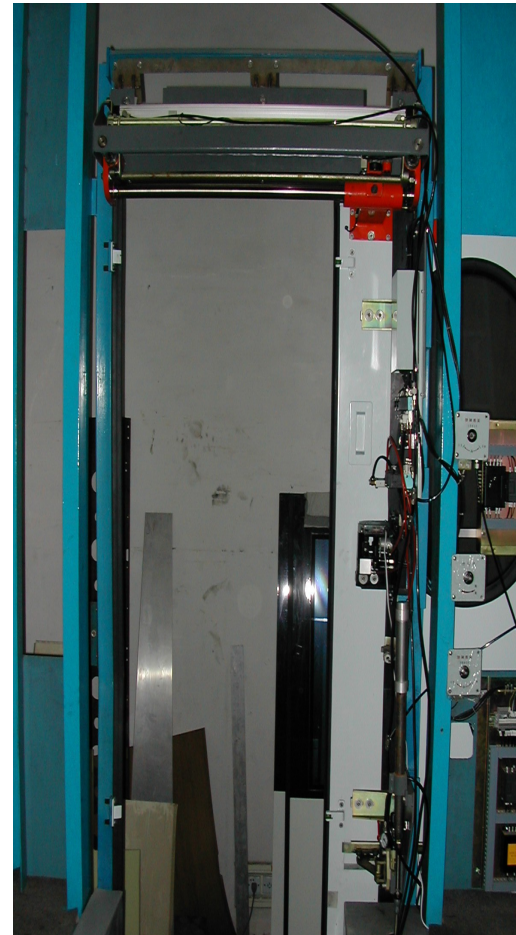


Pneumatic sliding door for passenger train coaches

Drive mechanisme

Electrically controlled pneumatic sliding door



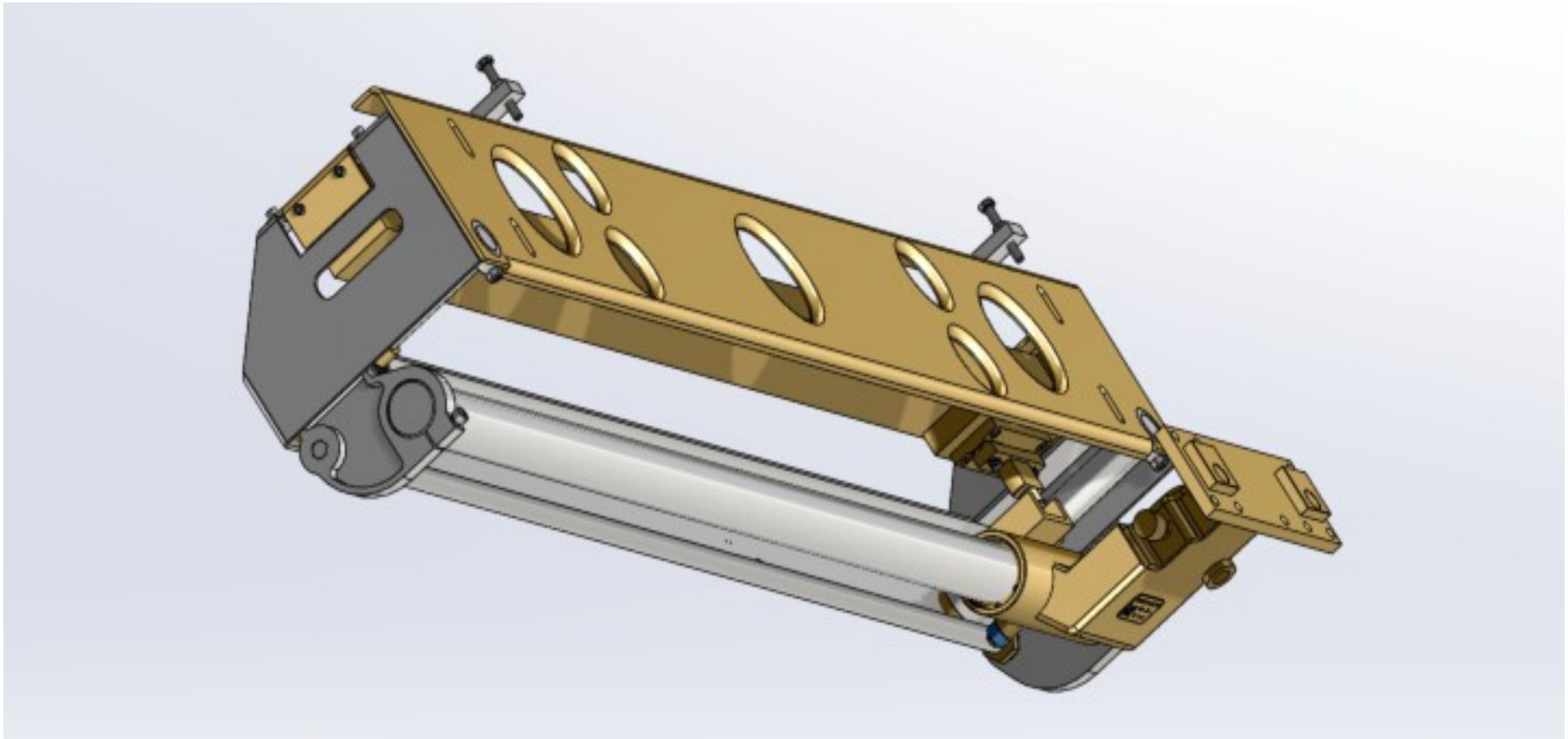
Pneumatic drive mechanism



Pneumatic drive mechanism



Pneumatic drive mechanism



Rodless pneumatic cylinder: ZS+ cylinder,
diameter 40, with extra long cushioning

